

About APS :

Australian Premium Solar (APS) is 100% Australian Owned, managed and operated. APS supplies imported high quality renewable energy products. Our solar panels are manufactured in accordance with APS's high standards of design and Quality Control Which ensure higher PV energy yields.

APS opened an advanced facility in Queensland, Australia for research and development and local testing of solar panels. The 2000 sq.mtr facility is staffed by qualified engineers, who are dedicated to exploring ways to achieve the continuous improvement of our solar cells and solar modules.



- 12 year product warranty
- 30 year performance warranty for up to 80.6% power output
- 12 year performance warranty for up to 91.2% power output
- Up to 17.40% cell efficiency

The detailed warranty conditions and further information is available at www.australianpremiumsolar.com.au www.australianpremiumsolar.co.in



Australian Brand

Manufactured in accordance with APS's high standards of design and Quality Control



Positive tolerance

Positive tolerance of up to 3% delivers higher output reliably for our all modules.



High Model Output

Highest conversion efficiency



Excellent module efficiency

Solar cell efficiency up to 17.4%
Module efficiency up to 15.6%



High performance

Higher PV energy yields even under low light and cloudy conditions



Reliability

Premium quality raw material and advanced manufacturing processes guarantees the reliability of our modules



EL Tested (ELECTROLUMINESCENCE)

Fully conforms to certification and regulatory standards

ELECTRICAL TYPICAL VALUES			
Model	APSP6-100/36	APSP6-120/36	APSP6-150/36
Maximum Power (Pmax)	100 W	120 W	150 W
Voltage at max. power (Vmp)	18.3 V	18.3 V	18.3 V
Current at max. power (Imp)	5.47 A	5.56 A	8.20 A
Open Circuit Voltage (Voc)	22.2 V	22.2 V	22.2 V
Short Circuit Current (Isc)	6.78 A	6.95 A	9.58 A
Tolerance	+/- 3%	+/- 3%	+/- 3%
No. of Cells	36 Cells(4*9)	36 Cells(4*9)	36 Cells(4*9)
MECHANICAL CHARACTERISTICS			
External Dimensions	1060 x 673 x 35 mm	1200 x 673 x 35 mm	1480 x 673 x 35 mm
Weight	10 kg	11 kg	13 kg

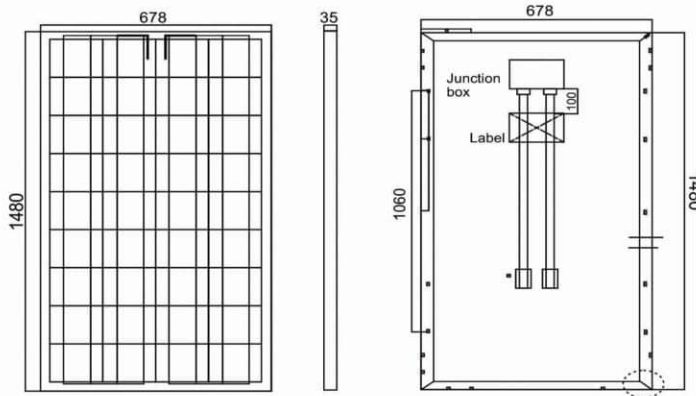
NOTE : STC: Irradiance 1000W/m² Module Temperature 25°C AM = 1.5

TEMPERATURE CHARACTERISTICS	
NOCT (Nominal Operation Temperature) :	45°(+3°C)
Temperature Coefficient :	-0.35% /°C
Current Temperature Coefficient :	+0.05% /°C
Power Temperature Coefficient :	-0.45% /°C

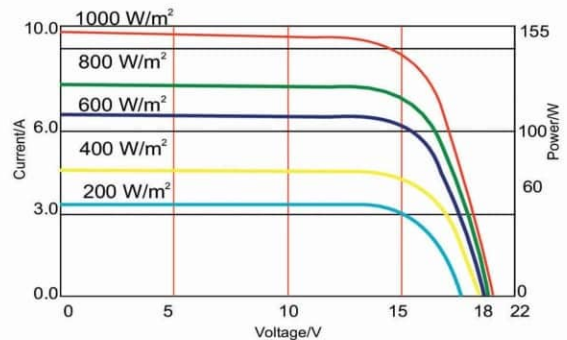
MODULE CHARACTERISTICS	
Solar Cells	Polycrystalline 156 x 156 mm
Front Glass	4 mm tempered glass, low iron
Frame	Anodized/ Electrophoresis aluminum alloy
Junction Box	TL-BOX026-ienp, 1000 V DC rated volatge, 20A rated current, IP67, Class A
Output Cables	PV1 -F 1 x 4.0 mm ² , 1000 V System Voltage
Connectors	TL-CABLE01S, DC 1500V, 30A, IP67, Class A
Maximum Snow Load	2400 Pascal
Maximum Wind Load	5400 Pascal
Hailstone Impact Test	80 km/h for 25mm ice ball

ABSOLUTE MAXIMUM RATING	
Parameter	Values
Operating Temperature	From -40° to 85°
Typical Application	24 V DC
Hail Diameter @ 80 km/h	Up to 25mm
Maximum Series Fuse Rating	15 A
IEC Application Class	IEC 61215, IEC 61730
Fire Rating (UL 1703)	C
Maximum System Voltage	1000 V DC (IEC 61215) 600 V (UL 1703)

MODULE DIMENSION



I - V CURVE



Australia Unit :
 Australian Premium Solar Pty. Ltd.,
 Unit 4/29, Bellrick Street, Acacia Ridge,
 Queensland-4110. Australia.
 Ph.:+61-7-3162 0075 Fax :+61-7-3162 0075
 E.Mail: info@australianpremiumsolar.com.au
 Web. : www.australianpremiumsolar.com.au

Anany Urja
 238, Rise On Plaza, Sarthana Jakatnaka,
 Varachha Road, Surat-395006,
 Gujarat (India)
 Ph: +91 88 66 44 24 77
 Email : info@ananyurja.com
 Web:www.ananyurja.com

Corporate Office :
 Australian Premium Solar (India) Pvt. Ltd.,
 B-802, 8th Floor Shapath Hexa,
 Opp, Gujarat High Court, S.G.Highway
 Ahmedabad - 380060. Gujarat - India
 E-mail : info@australianpremiumsolar.co.in
 Web. : www.australianpremiumsolar.co.in